

Medium-throw LED Follow Spotlight

# Sai-500CB

- High illuminance
- High CRI (Ra ≥ 92) 5800K
- Fully close iris
- Smooth dimming function with dimming lever control (Patent pending)/  
Switchable DMX dimming control
- Easy operation

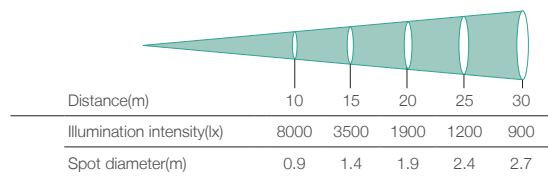
## ■ Main specification

Model name	Sai-500CB
Rated voltage	Single phase AC100V-240V
Power consumption	440W
Frequency	50/60Hz
Maximum ambient temperature	35°C
Maximum surface temperature	53°C
Minimum throw distance	1.0m
Minimum offset distance	0.1m
Operation angle range	Within 20° upward, 52° downward
Input cable	Removable 5m long cable with Neutrik PowerCON TRUE1
Weight	29kg
Dimensions	H609 × W426 × D1025
Cooling	Dual cooling fans
Noise	42dB or less (Distance of 1m)
Material	Sheet iron
Paint color	Black
Light source	400w LED White COB
Beam color temperature	5800K
CRI	≥ 93 Ra
Rated LED lifetime	50000hrs at 25°C Max.
Dimming	0-100% manual control/0-100% DMX 512
Flash	On:10ms Off:90ms (10Hz) * by press button
Compatible fittings	φ 30 Spigot
Color changer	XCC-6XB-6"D/e (6 colors)
Gobo	B size, Effective Gobo diameter φ 35
DMX IN connector	XLR 5P Male
Standards Compliance	ETL, CE pending
Installation place, IP rating	Indoor, IP20
Stand Model name	STD-S500
Weight	16kg



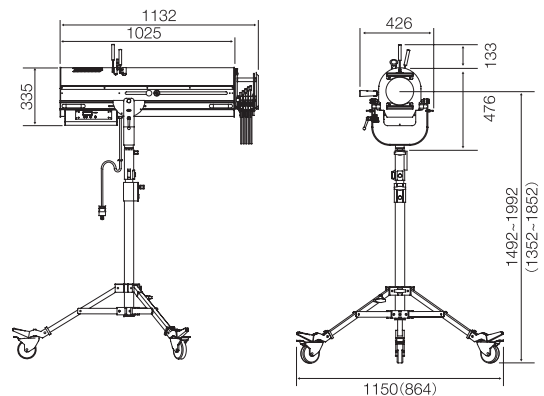
\* Image is for illustrative purposes.

## ■ Photometric data



The above spot diameter is minimum data.

## ■ Dimensions



\* Figures in parentheses are without casters

- Please note that the form, specifications, and price of the products in the catalog are subject to change without notice.
- The color of the actual product and as depicted in the catalog may slightly differ because of the printing process.
- Xebex is a registered trademark of USHIO LIGHTING, INC.
- All information including technical details mentioned in this brochure is as of Sep, 2019.